

# ANGUS

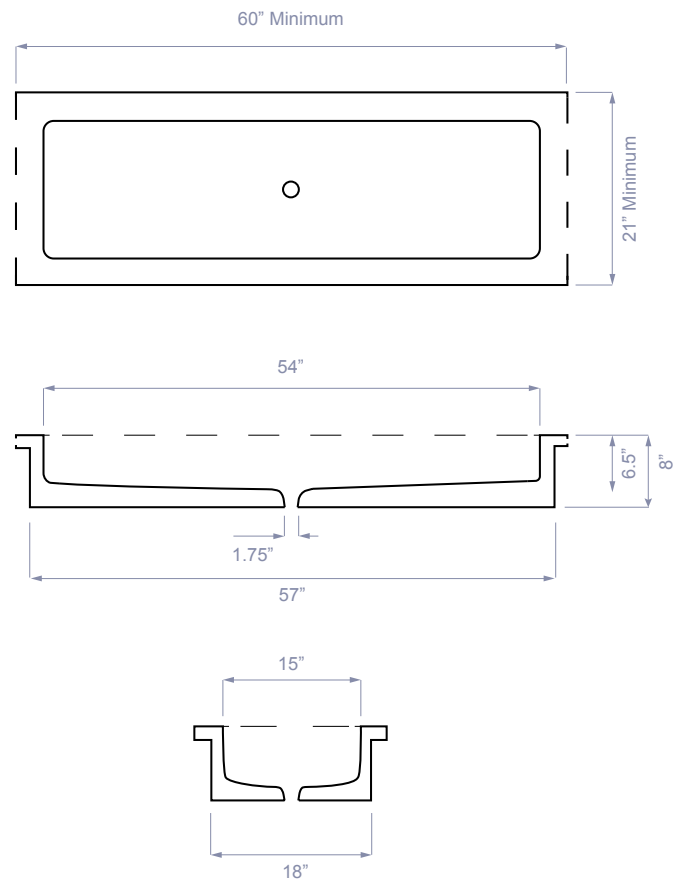
## THE FACTS

ANGUS is the classic trough sink, roomy and deep with strong lines.



### Standard Size Options

ANG-1 54" x 15" x 6.5"



High Performance Concrete  
Nominal Material Thickness 1.5"  
Integral Sink Without Overflow

**DEX** [www.dexindustries.com](http://www.dexindustries.com)  
[sales@dexindustries.com](mailto:sales@dexindustries.com)  
404.753.0600

**Bath Basin**