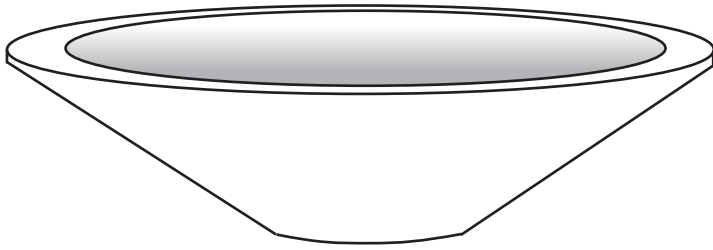


WOK

Vessel



The Facts:

- 15" inside dia.
- 20" outside dia
- 4" depth
- 5" height
- partial recess - ok

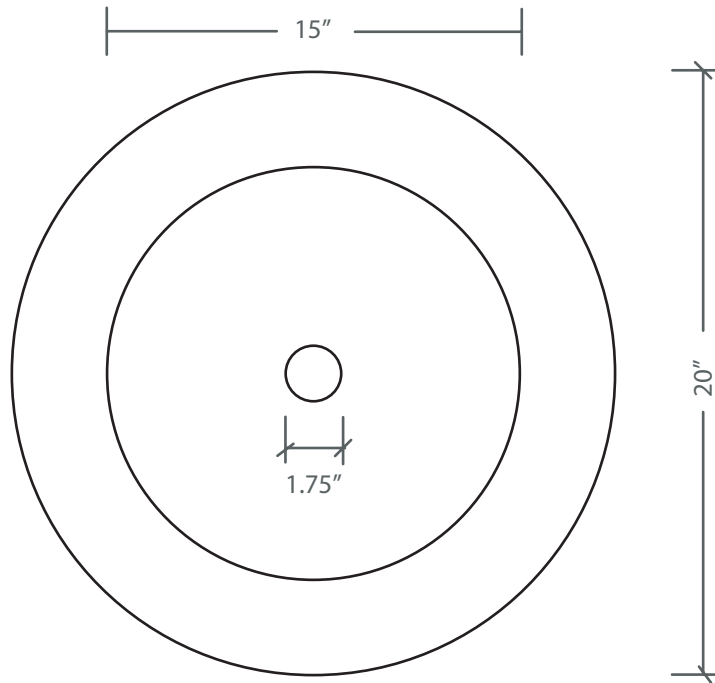
DEX recommends the
MT-750 no overflow drain.

MODEL: V-WOK1

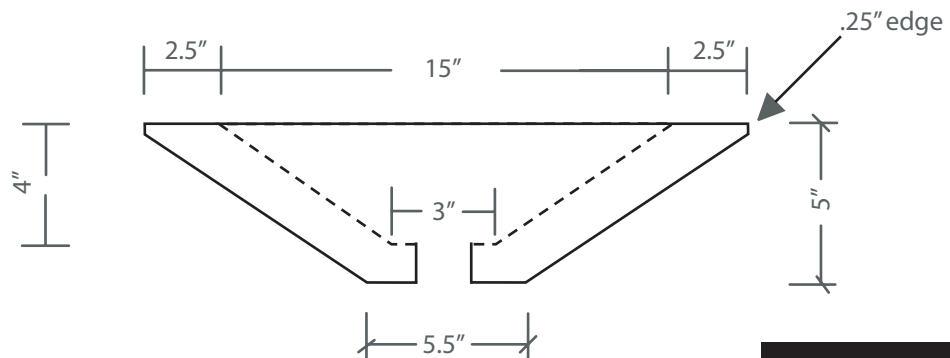
VESSEL DIMENSIONS

Dimensions are nominal within a tolerance of 1/8" +/-

PLAN VIEW



SIDE VIEW



DEX

www.dexstudios.com