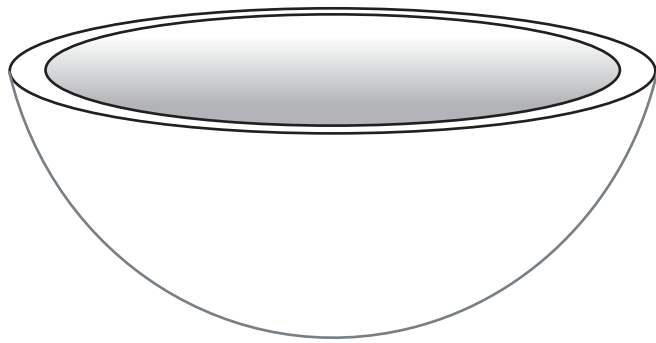


LUNA

Vessel

- The Facts:**
- 14.25" inside dia.
 - 17" outside dia.
 - 1.375" rim thickness
 - 6.5" depth
 - 7.5" height

DEX recommends the
MT-750 no overflow drain.

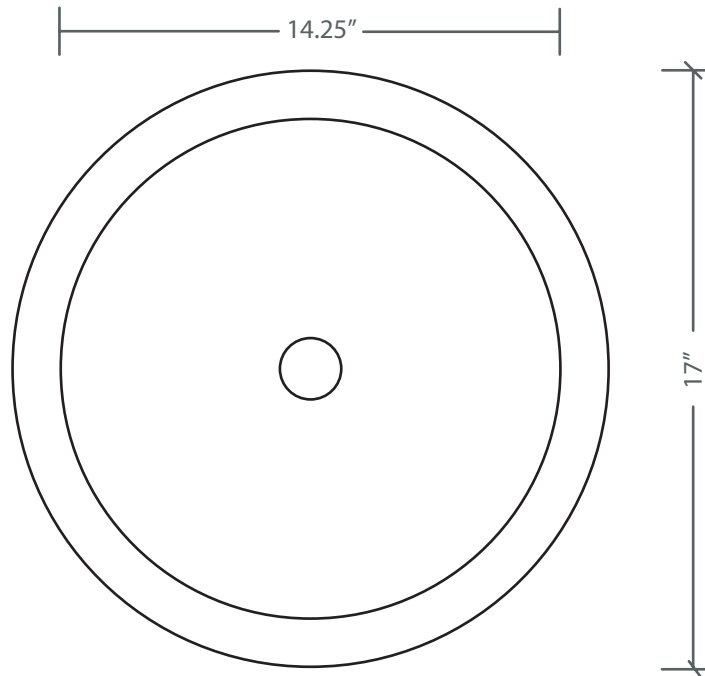


MODEL: V-LR1

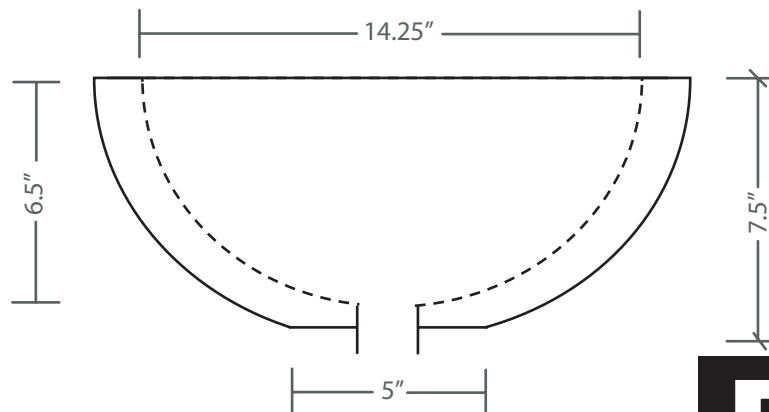
VESSEL DIMENSIONS

Dimensions are nominal within a tolerance of 1/8" +/-

**PLAN
VIEW**



**SIDE
VIEW**



DEX