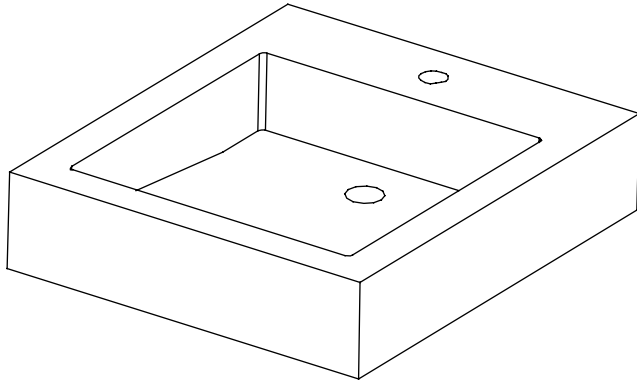


# ARATA

## Vessel



- The Facts:**
- 20"x23" outside dim.
  - 16"x16" inside dim.
  - 4" depth
  - 5" height

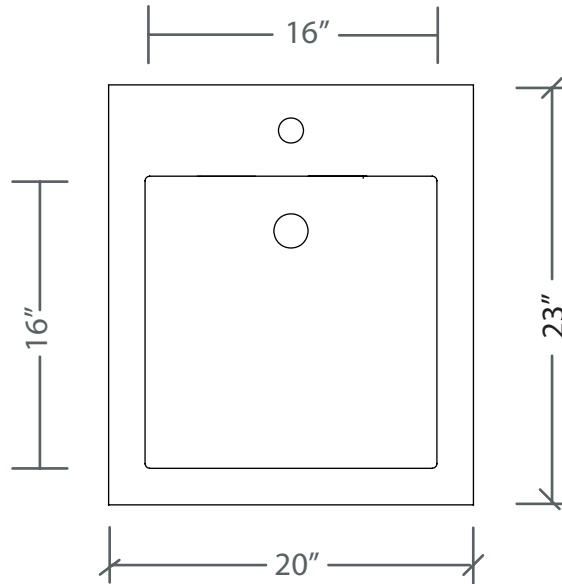
DEX recommends the MT-750 no overflow drain.

### MODEL: V-MO1

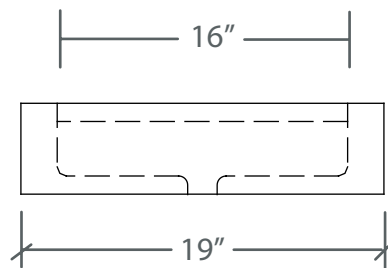
### VESSEL DIMENSIONS

Dimensions are nominal within a tolerance of 1/8" +/-

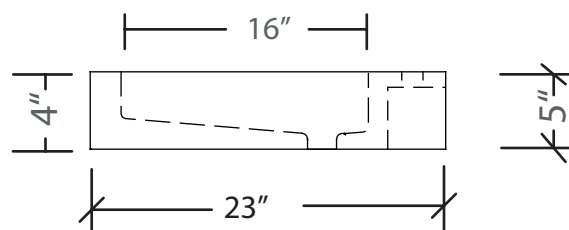
#### PLAN VIEW



#### BACK VIEW



#### SIDE VIEW



# DEX

[www.dexstudios.com](http://www.dexstudios.com)